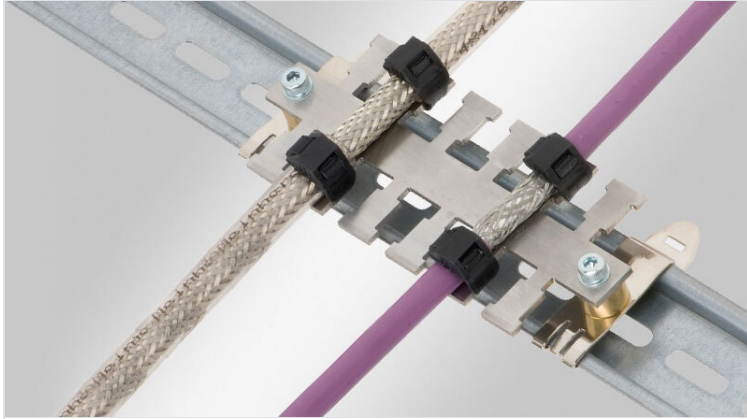


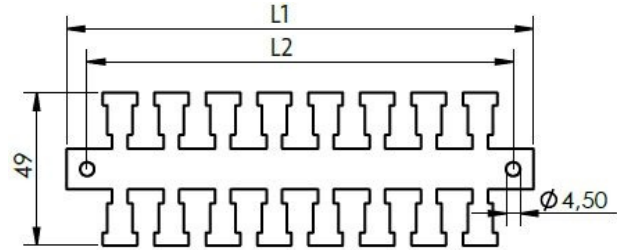
# KAFM-EMC cable assembly with strain relief

for shield earthing and simultaneous strain relief



The EMC strain relief plate KAFM is practical for earthing interferences on the cable shield.

The cable assembly can be assembled on a mounting plate with screws, with SC-feet on C section rails C30 or with MF-feet on 35 mm top hat DIN rails.



RoHS compliant



Made in Germany



## Specifications

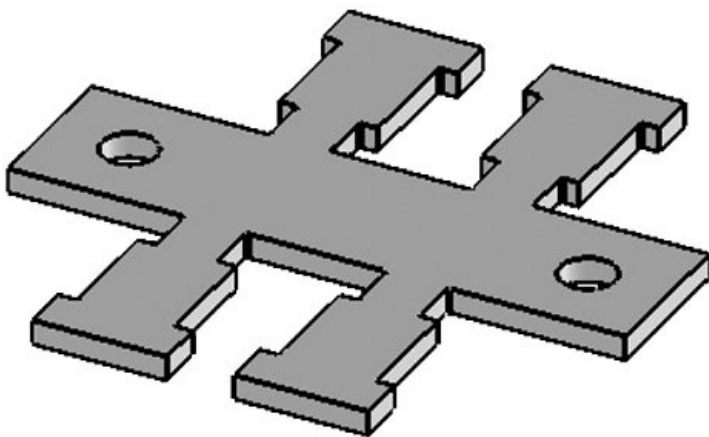
Material	Stainless steel
Properties	vibration proof
Mounting options	Snap-in, Screw type mounting

## Advantages & benefits

- Universal solution

## Product types & sizes

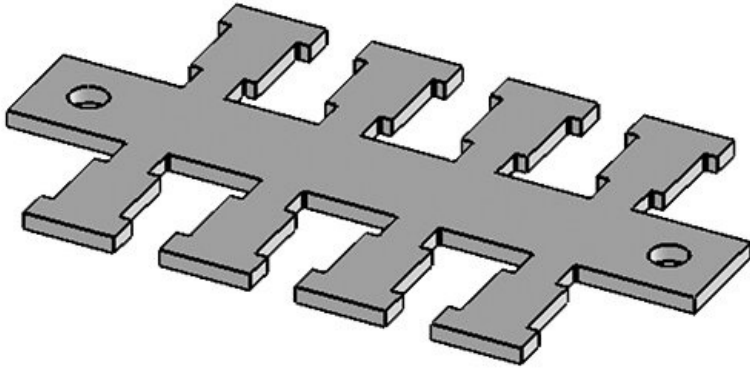
KAFM 2



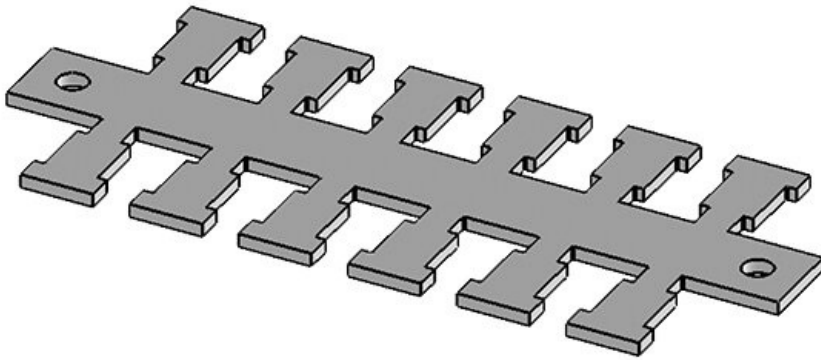
Part No.	<b>36422</b>	Length L2	<b>37,5 mm</b>
EAN	<b>4251269302</b>	Width	<b>49 mm</b>
	<b>657</b>	Height	<b>2 mm</b>
Package quantity	<b>1</b>	No. of screw holes	<b>2</b>
Hole size	<b>M4</b>	Diam. of screw holes	<b>4,5</b>
Strain relief (acc. to EN 62444)	<b>1</b>	No. of teeth	<b>2</b>
For max. no. of cables			
Length L1	<b>50,5 mm</b>		

**KAFM 4**

Part No.	<b>36424</b>	Length L2	<b>70,5 mm</b>
EAN	<b>4251269302</b>	Width	<b>49 mm</b>
	<b>664</b>	Height	<b>2 mm</b>
Package quantity	<b>1</b>	No. of screw holes	<b>2</b>
Hole size	<b>M4</b>	Diam. of screw holes	<b>4,5 mm</b>
Strain relief (acc. to EN 62444)	<b>1</b>	No. of teeth	<b>4</b>
For max. no. of cables	<b>4</b>		
Length L1	<b>83,5 mm</b>		

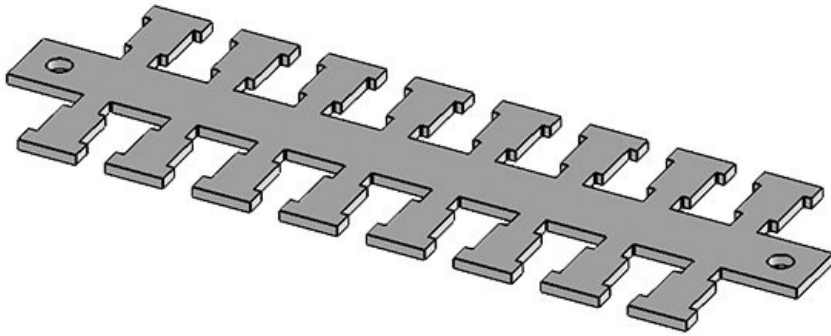
**KAFM 6**

Part No.	<b>36426</b>	Length L2	<b>103,5 mm</b>
EAN	<b>4251269302</b>	Width	<b>49 mm</b>
	<b>671</b>	Height	<b>2 mm</b>
Package quantity	<b>1</b>	No. of screw holes	<b>2</b>
Hole size	<b>M4</b>	Diam. of screw holes	<b>4,5 mm</b>
Strain relief (acc. to EN 62444)	<b>1</b>	No. of teeth	<b>6</b>
For max. no. of cables	<b>6</b>		
Length L1	<b>116,5 mm</b>		

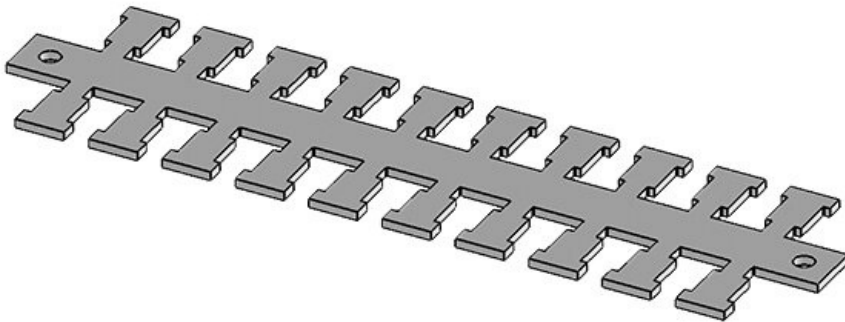


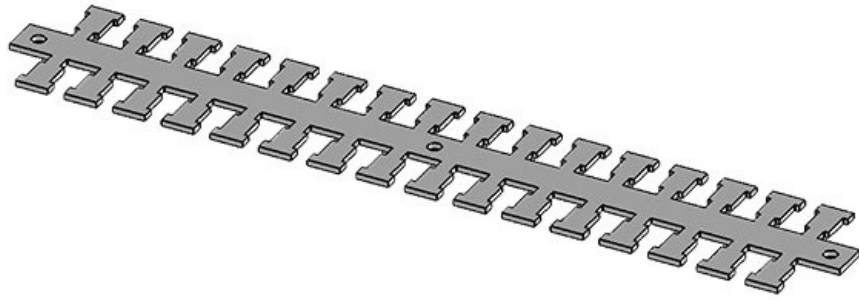
**KAFM 8**

Part No.	<b>36428</b>	Length L2	<b>136,5 mm</b>
EAN	<b>4251269302</b>	Width	<b>49 mm</b>
	<b>688</b>	Height	<b>2 mm</b>
Package quantity	<b>1</b>	No. of screw holes	<b>2</b>
Hole size	<b>M4</b>	Diam. of screw holes	<b>4,5 mm</b>
Strain relief (acc. to EN 62444)	<b>1</b>	No. of teeth	<b>8</b>
For max. no. of cables			
Length L1	<b>149,5 mm</b>		

**KAFM 10**

Part No.	<b>36430</b>	Length L2	<b>169,5 mm</b>
EAN	<b>4251269302</b>	Width	<b>49 mm</b>
	<b>695</b>	Height	<b>2 mm</b>
Package quantity	<b>1</b>	No. of screw holes	<b>2</b>
Hole size	<b>M4</b>	Diam. of screw holes	<b>4,5 mm</b>
Strain relief (acc. to EN 62444)	<b>1</b>	No. of teeth	<b>10</b>
For max. no. of cables			
Length L1	<b>182,5 mm</b>		



**KAFM 16**

Part No.	<b>36530</b>	Length L2	<b>268,5 mm</b>
EAN	<b>4251269303</b>	Width	<b>49 mm</b>
	<b>081</b>	Height	<b>2 mm</b>
Package quantity	<b>1</b>	No. of screw holes	<b>3</b>
Hole size	<b>M4</b>	Diam. of screw holes	<b>4,5 mm</b>
Strain relief (acc. to EN 62444)	<b>1</b>	No. of teeth	<b>16</b>
For max. no. of cables	<b>16</b>		
Length L1	<b>281,5 mm</b>		

**KAFM 29**

Part No.	<b>36540</b>	Length L2	<b>481,5 mm</b>
EAN	<b>4251269303</b>	Width	<b>49 mm</b>
	<b>098</b>	Height	<b>2 mm</b>
Package quantity	<b>1</b>	No. of screw holes	<b>5</b>
Hole size	<b>M4</b>	Diam. of screw holes	<b>4,5 mm</b>
Strain relief (acc. to EN 62444)	<b>1</b>	No. of teeth	<b>29</b>
For max. no. of cables	<b>29</b>		
Length L1	<b>494,5 mm</b>		

**KAFM 59**

Part No.	<b>36550</b>	Length L2	<b>978 mm</b>
EAN	<b>4251269303</b>	Width	<b>49 mm</b>
	<b>104</b>	Height	<b>2 mm</b>
Package quantity	<b>1</b>	No. of screw holes	<b>5</b>
Hole size	<b>M4</b>	Diam. of screw holes	<b>4,5 mm</b>
Strain relief (acc. to EN 62444)	<b>1</b>	No. of teeth	<b>59</b>
For max. no. of cables	<b>59</b>		
Length L1	<b>990 mm</b>		

**KAFM 59 zn**

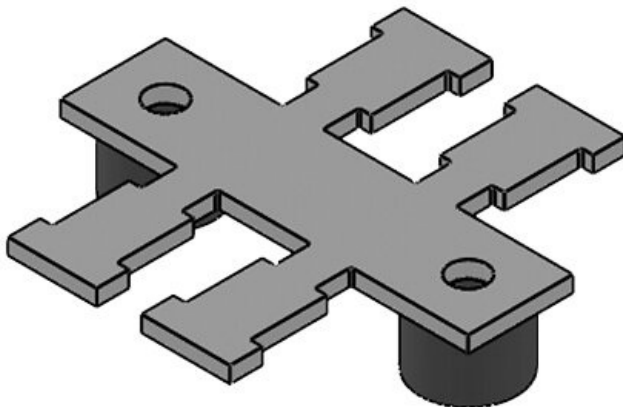
Part No.	<b>36562</b>	Length L2	<b>978 mm</b>
EAN	<b>4251269303</b>	Width	<b>49 mm</b>
	<b>111</b>	Height	<b>2 mm</b>
Package quantity	<b>1</b>	No. of screw holes	<b>5</b>
Hole size	<b>M4</b>	Diam. of screw holes	<b>4,5 mm</b>
Strain relief (acc. to EN 62444)	<b>1</b>	No. of teeth	<b>59</b>
For max. no. of cables	<b>59</b>		
Length L1	<b>990 mm</b>		





Part No. **36234**  
EAN **4251269302**  
**275**  
Package quantity **10**  
Hole size **M4**  
Strain relief **1**  
(acc. to EN 62444)  
Length **12 mm**  
Height **8 mm**

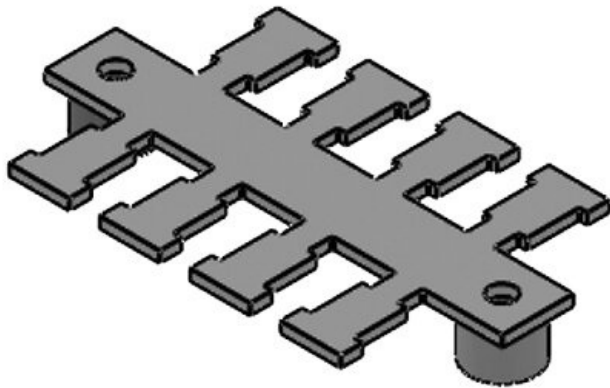
KAFM 2|DH



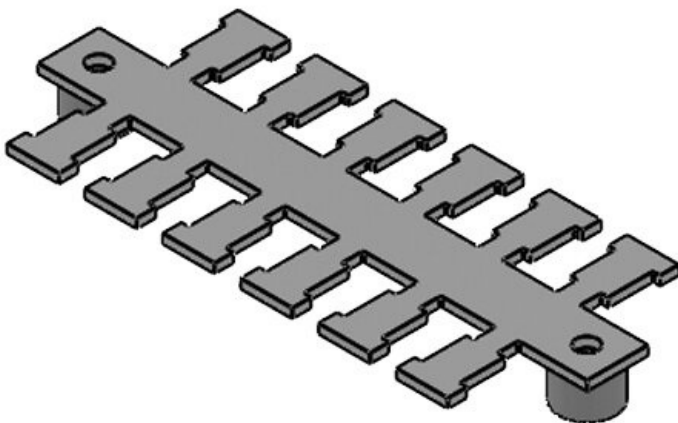
Part No. **36482** Width **49 mm**  
EAN **4251269302** Height **10 mm**  
**930** No. of screw **2**  
holes  
Package quantity **1** Diam. of screw **4,5 mm**  
holes  
Strain relief **1** No. of teeth **2**  
(acc. to EN 62444)  
For max. no. of **2**  
cables  
Length L1 **50,5 mm**  
Length L2 **37,5 mm**

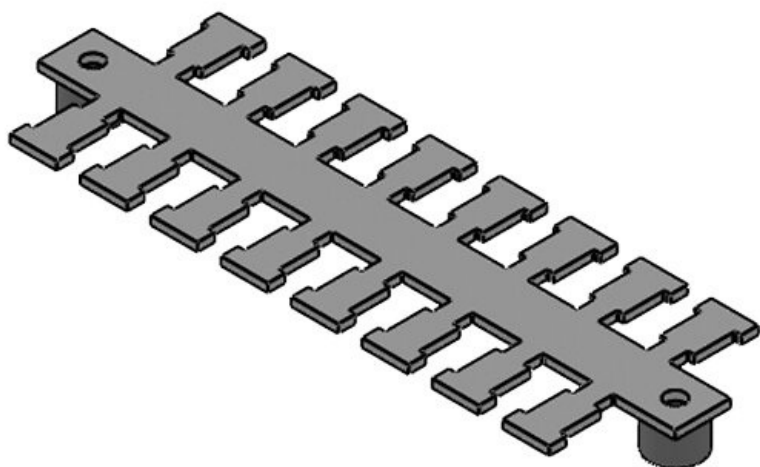
**KAFM 4|DH**

Part No.	<b>36484</b>	Width	<b>49 mm</b>
EAN	<b>4251269302</b>	Height	<b>10 mm</b>
	<b>947</b>	No. of screw	<b>2</b>
Package quantity	<b>1</b>	holes	
Strain relief (acc. to EN 62444)	<b>1</b>	Diam. of screw	<b>4,5 mm</b>
		holes	
For max. no. of cables	<b>4</b>	No. of teeth	<b>4</b>
Length L1	<b>83,5 mm</b>		
Length L2	<b>70,5 mm</b>		

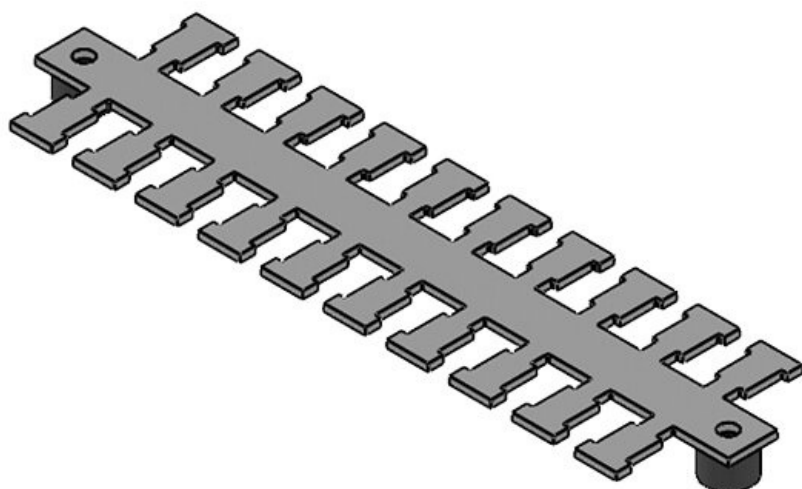
**KAFM 6|DH**

Part No.	<b>36486</b>	Width	<b>49 mm</b>
EAN	<b>4251269302</b>	Height	<b>10 mm</b>
	<b>954</b>	No. of screw	<b>2</b>
Package quantity	<b>1</b>	holes	
Strain relief (acc. to EN 62444)	<b>1</b>	Diam. of screw	<b>4,5 mm</b>
		holes	
For max. no. of cables	<b>6</b>	No. of teeth	<b>6</b>
Length L1	<b>116,5 mm</b>		
Length L2	<b>103,5 mm</b>		



**KAFM 8|DH**

Part No.	<b>36488</b>	Width	<b>49 mm</b>
EAN	<b>4251269302</b>	Height	<b>10 mm</b>
	<b>961</b>	No. of screw	<b>2</b>
Package	<b>1</b>	holes	
quantity		Diam. of screw	<b>4,5 mm</b>
Strain relief	<b>1</b>	holes	
(acc. to EN 62444)		No. of teeth	<b>8</b>
For max. no. of	<b>8</b>		
cables			
Length L1	<b>149,5 mm</b>		
Length L2	<b>136,5 mm</b>		

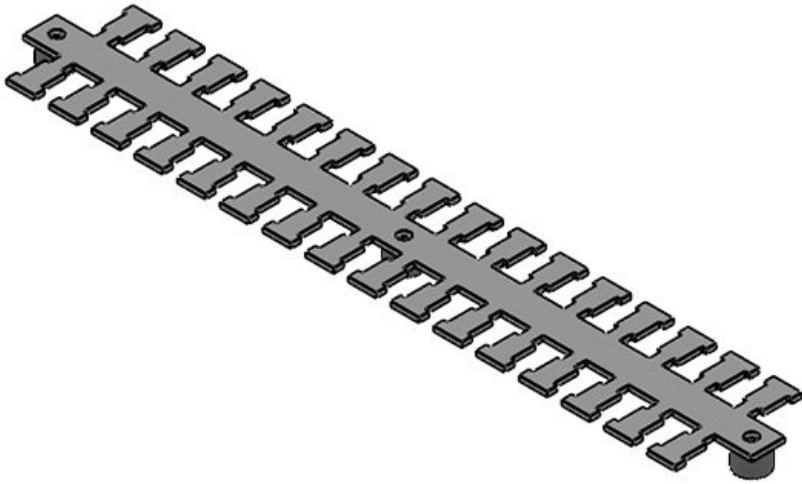
**KAFM 10|DH**

Part No.	<b>36490</b>	Width	<b>49 mm</b>
EAN	<b>4251269302</b>	Height	<b>10 mm</b>
	<b>978</b>	No. of screw	<b>2</b>
Package	<b>1</b>	holes	
quantity		Diam. of screw	<b>4,5 mm</b>
Strain relief	<b>1</b>	holes	
(acc. to EN 62444)		No. of teeth	<b>10</b>
For max. no. of	<b>10</b>		
cables			
Length L1	<b>182,5 mm</b>		
Length L2	<b>169,5 mm</b>		

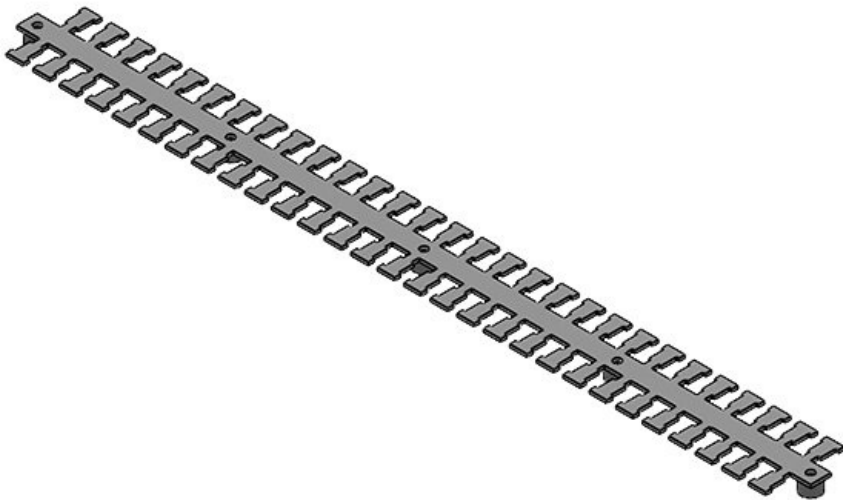


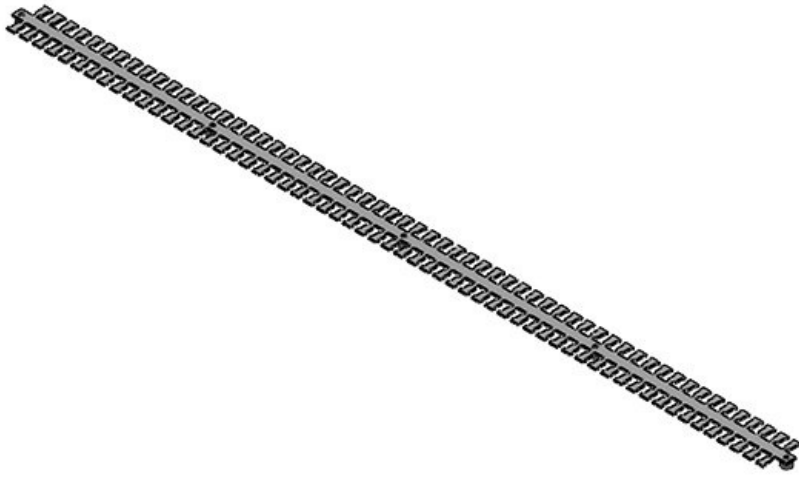
**KAFM 16|DH**

Part No.	<b>36460</b>	Width	<b>49 mm</b>
EAN	<b>4251269302</b>	Height	<b>10 mm</b>
	<b>848</b>	No. of screw	<b>3</b>
Package	<b>1</b>	holes	
quantity		Diam. of screw	<b>4,5 mm</b>
Strain relief	<b>1</b>	holes	
(acc. to EN		No. of teeth	<b>16</b>
62444)			
For max. no. of	<b>16</b>		
cables			
Length L1	<b>281,5 mm</b>		
Length L2	<b>268,5 mm</b>		

**KAFM 29|DH**

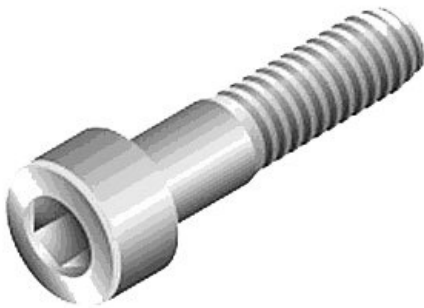
Part No.	<b>36462</b>	Width	<b>49 mm</b>
EAN	<b>4251269302</b>	Height	<b>10 mm</b>
	<b>855</b>	No. of screw	<b>5</b>
Package	<b>1</b>	holes	
quantity		Diam. of screw	<b>4,5 mm</b>
Strain relief	<b>1</b>	holes	
(acc. to EN		No. of teeth	<b>29</b>
62444)			
For max. no. of	<b>29</b>		
cables			
Length L1	<b>494,5 mm</b>		
Length L2	<b>481,5 mm</b>		





Part No.	<b>36464</b>	Width	<b>49 mm</b>
EAN	<b>4251269302</b>	Height	<b>10 mm</b>
	<b>862</b>	No. of screw holes	<b>5</b>
Package quantity	<b>1</b>	Diam. of screw holes	<b>4,5 mm</b>
Strain relief (acc. to EN 62444)	<b>1</b>	No. of teeth	<b>59</b>
For max. no. of <b>59</b> cables			
Length L1	<b>990 mm</b>		
Length L2	<b>978 mm</b>		

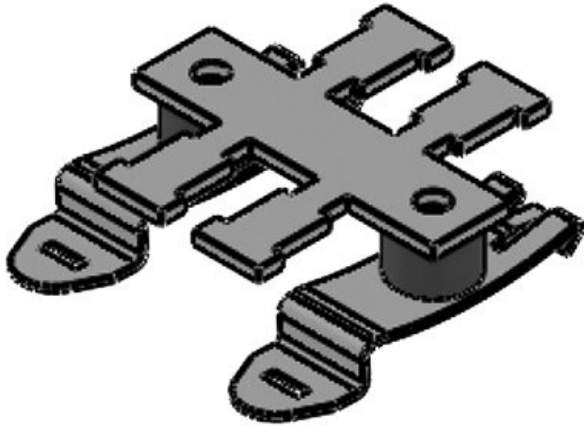
Screw M4 x 16 DIN 912



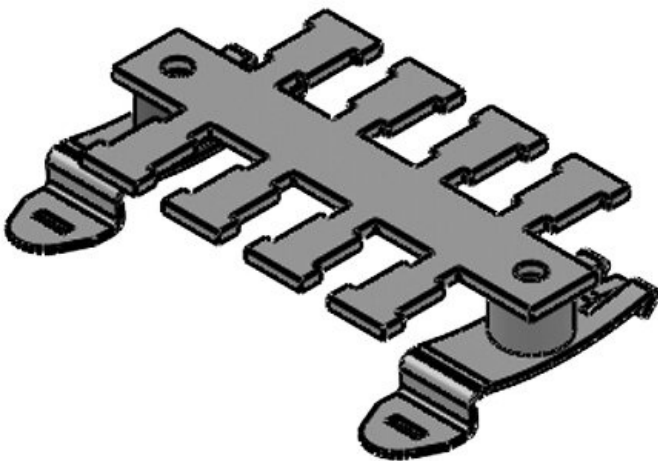
Part No.	<b>99017</b>
EAN	<b>4251269316</b>
	<b>494</b>
Package quantity	<b>10</b>
Strain relief (acc. to EN 62444)	<b>1</b>
Length	<b>20 mm</b>
Height	<b>7 mm</b>

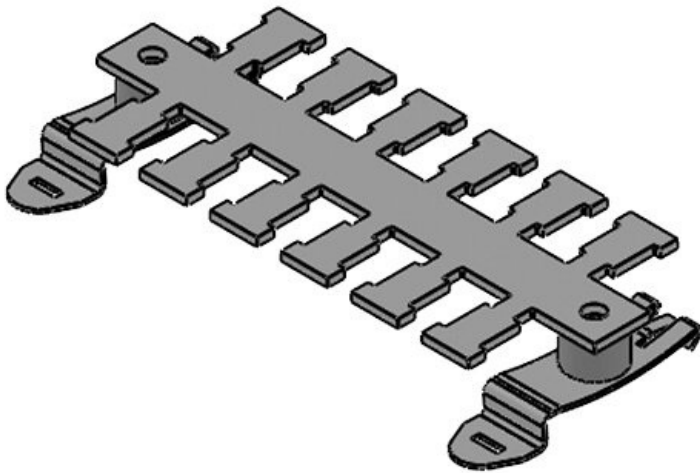
**KAFM 2|SF**

Part No.	<b>36442</b>	Length L1	<b>50,5 mm</b>
EAN	<b>4251269302</b>	Length L2	<b>37,5 mm</b>
	<b>756</b>	No. of teeth	<b>2</b>
Package quantity	<b>1</b>		
Width	<b>49 mm</b>		
Height	<b>19 mm</b>		
Strain relief (acc. to EN 62444)	<b>1</b>		
For max. no. of cables	<b>2</b>		

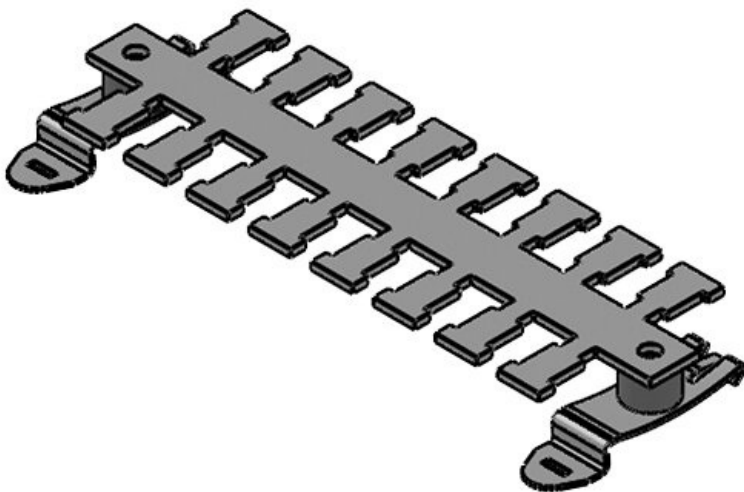
**KAFM 4|SF**

Part No.	<b>36444</b>	Length L1	<b>83,5 mm</b>
EAN	<b>4251269302</b>	Length L2	<b>70,5 mm</b>
	<b>763</b>	No. of teeth	<b>4</b>
Package quantity	<b>1</b>		
Width	<b>49 mm</b>		
Height	<b>19 mm</b>		
Strain relief (acc. to EN 62444)	<b>1</b>		
For max. no. of cables	<b>4</b>		



**KAFM 6|SF**

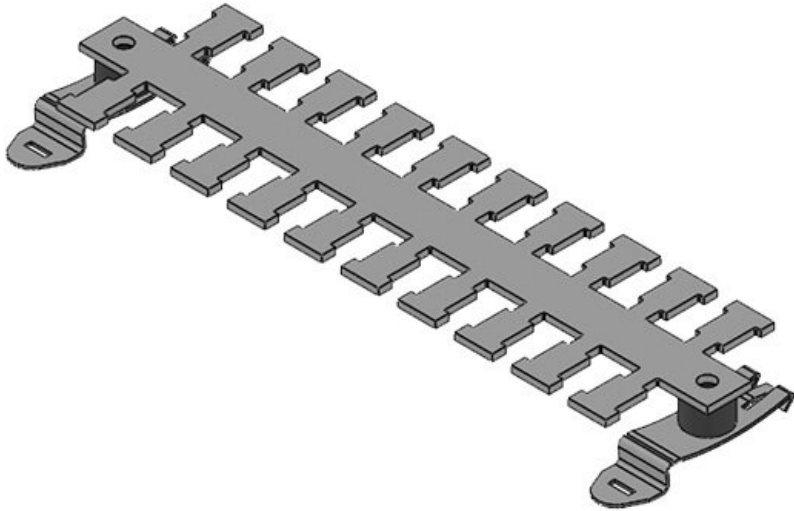
Part No.	<b>36446</b>	Length L1	<b>116,5 mm</b>
EAN	<b>4251269302</b>	Length L2	<b>103,5 mm</b>
	<b>770</b>	No. of teeth	<b>6</b>
Package quantity	<b>1</b>		
Width	<b>49 mm</b>		
Height	<b>19 mm</b>		
Strain relief	<b>1</b>		
(acc. to EN 62444)			
For max. no. of cables	<b>6</b>		

**KAFM 8|SF**

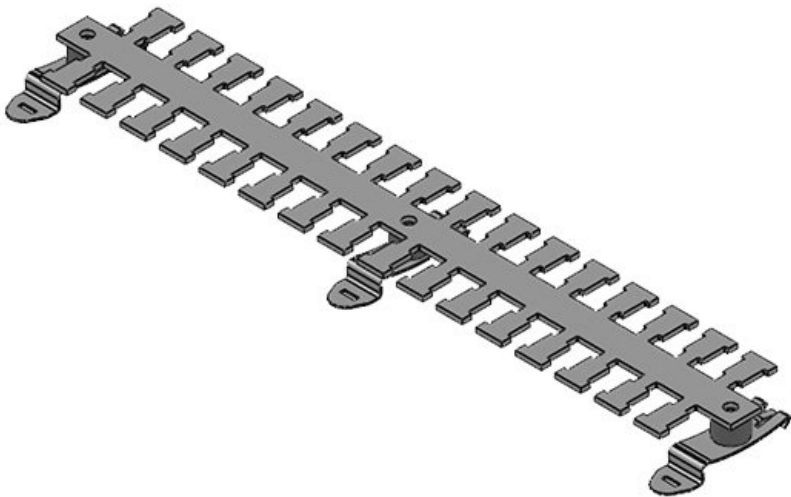
Part No.	<b>36448</b>	Length L1	<b>149,5 mm</b>
EAN	<b>4251269302</b>	Length L2	<b>136,5 mm</b>
	<b>787</b>	No. of teeth	<b>8</b>
Package quantity	<b>1</b>		
Width	<b>49 mm</b>		
Height	<b>19 mm</b>		
Strain relief	<b>1</b>		
(acc. to EN 62444)			
For max. no. of cables	<b>8</b>		

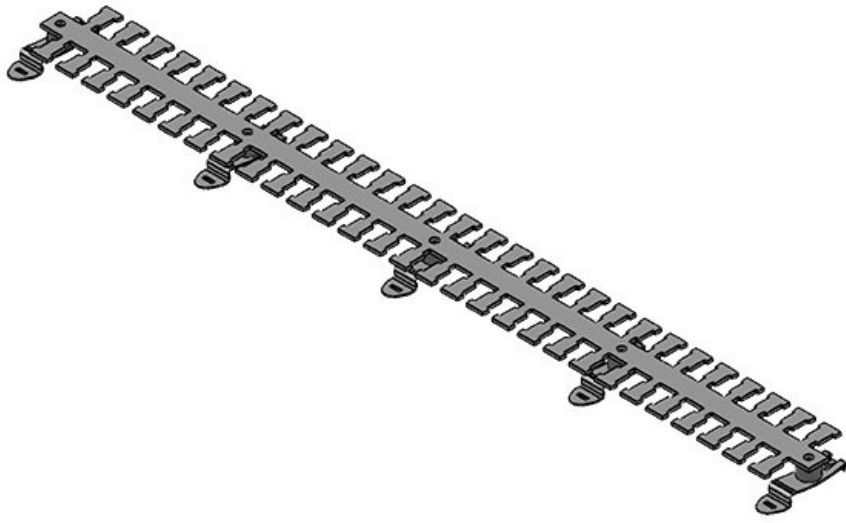
**KAFM 10|SF**

Part No.	<b>36450</b>	Length L1	<b>182,5 mm</b>
EAN	<b>4251269302794</b>	Length L2	<b>169,5 mm</b>
		No. of teeth	<b>10</b>
Package quantity	<b>1</b>		
Width	<b>49 mm</b>		
Height	<b>19 mm</b>		
Strain relief (acc. to EN 62444)	<b>1</b>		
For max. no. of cables	<b>10</b>		

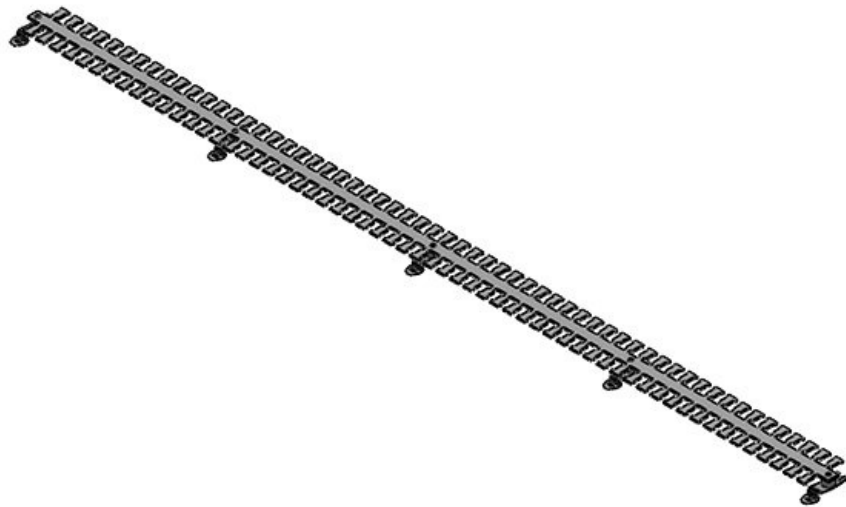
**KAFM 16|SF**

Part No.	<b>36452</b>	Length L1	<b>281,5 mm</b>
EAN	<b>4251269302800</b>	Length L2	<b>268,5 mm</b>
		No. of teeth	<b>16</b>
Package quantity	<b>1</b>		
Width	<b>49 mm</b>		
Height	<b>19 mm</b>		
Strain relief (acc. to EN 62444)	<b>1</b>		
For max. no. of cables	<b>16</b>		



**KAFM 29|SF**

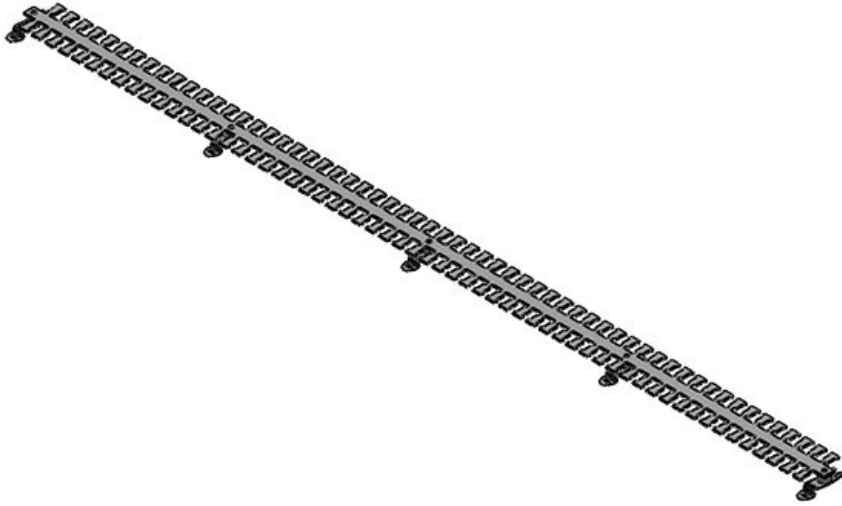
Part No.	<b>36454</b>	Length L1	<b>494,5 mm</b>
EAN	<b>4251269302</b>	Length L2	<b>481,5 mm</b>
	<b>817</b>	No. of teeth	<b>29</b>
Package quantity	<b>1</b>		
Width	<b>49 mm</b>		
Height	<b>19 mm</b>		
Strain relief (acc. to EN 62444)	<b>1</b>		
For max. no. of cables	<b>29</b>		

**KAFM 59|SF**

Part No.	<b>36458</b>	Length L1	<b>990 mm</b>
EAN	<b>4251269302</b>	Length L2	<b>978 mm</b>
	<b>824</b>	No. of teeth	<b>59</b>
Package quantity	<b>1</b>		
Width	<b>49 mm</b>		
Height	<b>19 mm</b>		
Strain relief (acc. to EN 62444)	<b>1</b>		
For max. no. of cables	<b>59</b>		

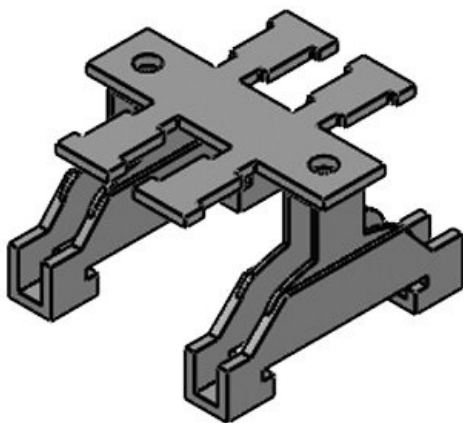
KAFM 59|SF zn

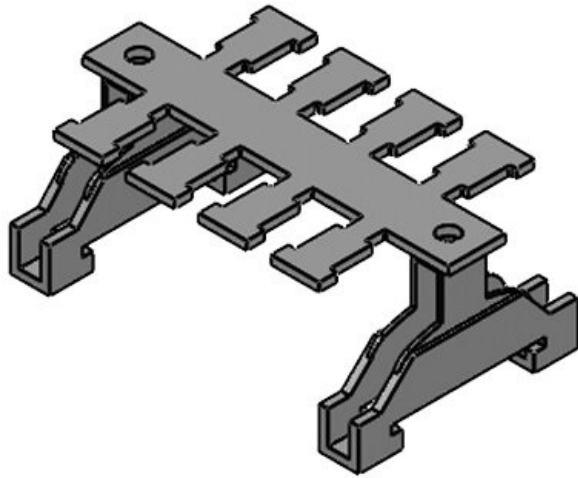
Part No.	<b>36459</b>	Length L1	<b>990 mm</b>
EAN	<b>4251269302</b>	Length L2	<b>978 mm</b>
	<b>831</b>	No. of teeth	<b>59</b>
Package quantity	<b>1</b>		
Width	<b>49 mm</b>		
Height	<b>19 mm</b>		
Strain relief (acc. to EN 62444)	<b>1</b>		
For max. no. of cables	<b>59</b>		



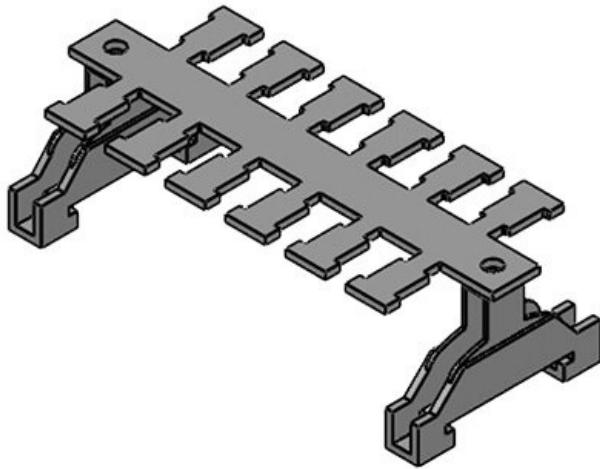
KAFM 2|SK

Part No.	<b>36432</b>	Length L1	<b>50,5 mm</b>
EAN	<b>4251269302</b>	Length L2	<b>37,5 mm</b>
	<b>701</b>	No. of teeth	<b>2</b>
Package quantity	<b>1</b>		
Width	<b>49 mm</b>		
Height	<b>36 mm</b>		
Strain relief (acc. to EN 62444)	<b>1</b>		
For max. no. of cables	<b>2</b>		



**KAFM 4|SK**

Part No.	<b>36434</b>	Length L1	<b>83,5 mm</b>
EAN	<b>4251269302</b>	Length L2	<b>70,5 mm</b>
	<b>718</b>	No. of teeth	<b>4</b>
Package quantity	<b>1</b>		
Width	<b>49 mm</b>		
Height	<b>36 mm</b>		
Strain relief	<b>1</b>		
(acc. to EN 62444)			
For max. no. of cables	<b>4</b>		

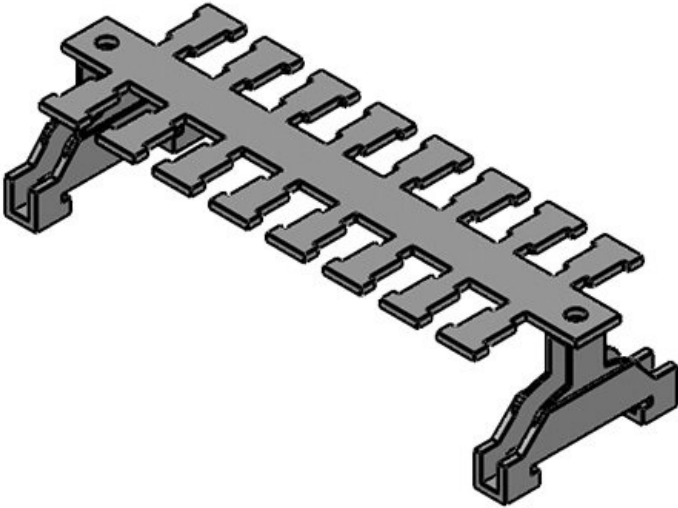
**KAFM 6|SK**

Part No.	<b>36436</b>	Length L1	<b>116,5 mm</b>
EAN	<b>4251269302</b>	Length L2	<b>103,5 mm</b>
	<b>725</b>	No. of teeth	<b>6</b>
Package quantity	<b>1</b>		
Width	<b>49 mm</b>		
Height	<b>36 mm</b>		
Strain relief	<b>1</b>		
(acc. to EN 62444)			
For max. no. of cables	<b>6</b>		

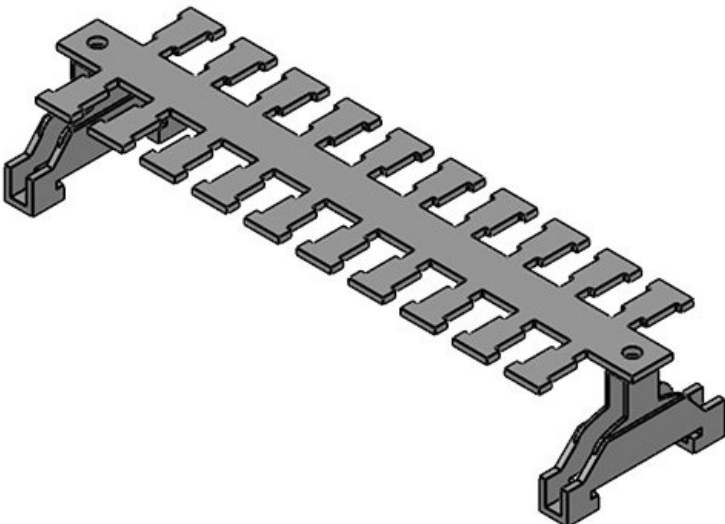


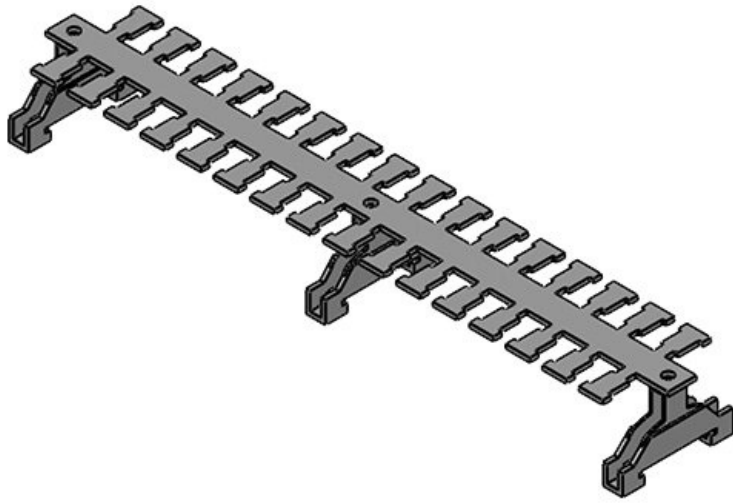
**KAFM 8|SK**

Part No.	<b>36438</b>	Length L1	<b>149,5 mm</b>
EAN	<b>4251269302</b>	Length L2	<b>136,5 mm</b>
	<b>732</b>	No. of teeth	<b>8</b>
Package quantity	<b>1</b>		
Width	<b>49 mm</b>		
Height	<b>36 mm</b>		
Strain relief (acc. to EN 62444)	<b>1</b>		
For max. no. of cables	<b>8</b>		

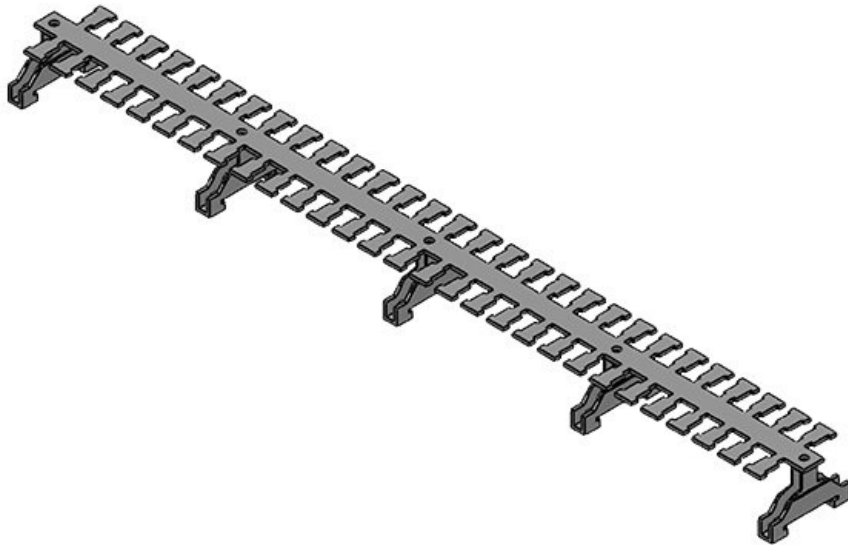
**KAFM 10|SK**

Part No.	<b>36440</b>	Length L1	<b>182,5 mm</b>
EAN	<b>4251269302</b>	Length L2	<b>169,5 mm</b>
	<b>749</b>	No. of teeth	<b>10</b>
Package quantity	<b>1</b>		
Width	<b>49 mm</b>		
Height	<b>36 mm</b>		
Strain relief (acc. to EN 62444)	<b>1</b>		
For max. no. of cables	<b>10</b>		



**KAFM 16|SK**

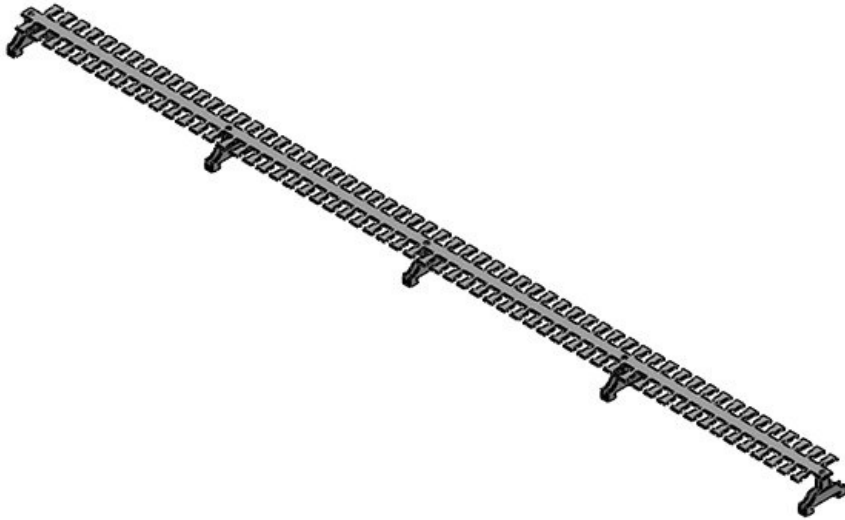
Part No.	<b>36470</b>	Length L1	<b>281,5 mm</b>
EAN	<b>4251269302</b>	Length L2	<b>268,5 mm</b>
	<b>909</b>	No. of teeth	<b>16</b>
Package quantity	<b>1</b>		
Width	<b>49 mm</b>		
Height	<b>36 mm</b>		
Strain relief (acc. to EN 62444)	<b>1</b>		
For max. no. of cables	<b>16</b>		

**KAFM 29|SK**

Part No.	<b>36471</b>	Length L1	<b>494,5 mm</b>
EAN	<b>4251269302</b>	Length L2	<b>481,5 mm</b>
	<b>916</b>	No. of teeth	<b>29</b>
Package quantity	<b>1</b>		
Width	<b>49 mm</b>		
Height	<b>36 mm</b>		
Strain relief (acc. to EN 62444)	<b>1</b>		
For max. no. of cables	<b>29</b>		

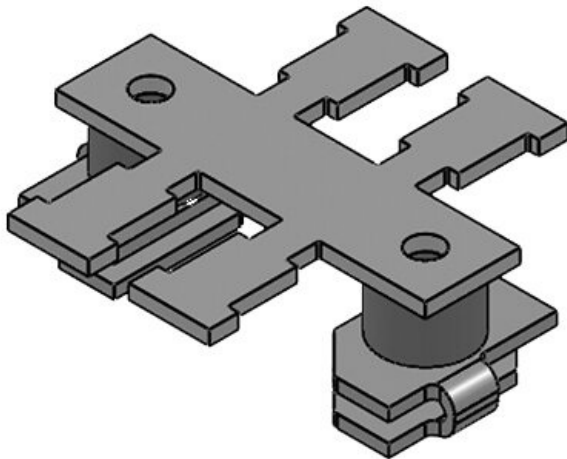
KAFM 59|SK

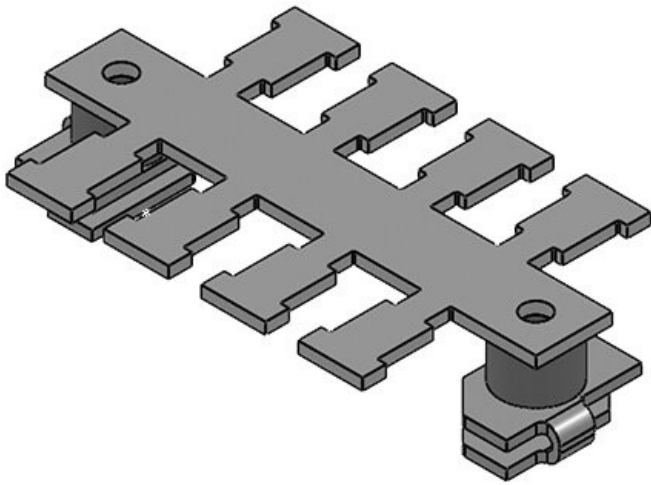
Part No.	<b>36472</b>	Length L1	<b>990 mm</b>
EAN	<b>4251269302</b>	Length L2	<b>978 mm</b>
	<b>923</b>	No. of teeth	<b>59</b>
Package quantity	<b>1</b>		
Width	<b>49 mm</b>		
Height	<b>36 mm</b>		
Strain relief (acc. to EN 62444)	<b>1</b>		
For max. no. of cables	<b>59</b>		



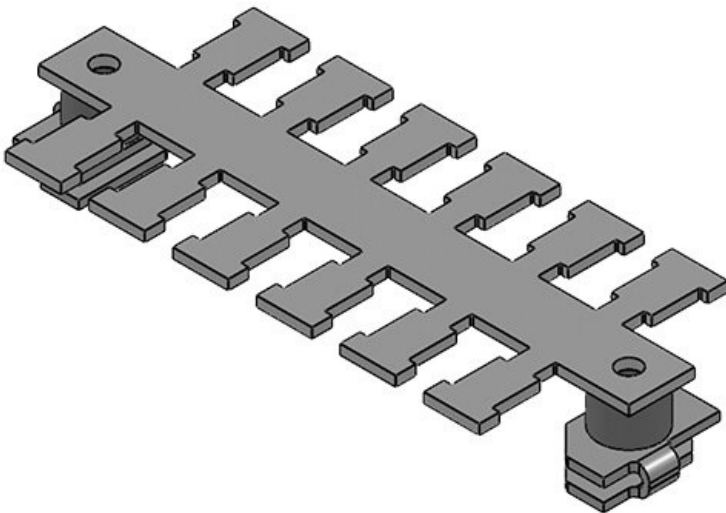
KAFM 2|SC

Part No.	<b>36412</b>	Length L1	<b>50,5 mm</b>
EAN	<b>4251269302</b>	Length L2	<b>37,5 mm</b>
	<b>619</b>	No. of teeth	<b>2</b>
Package quantity	<b>1</b>		
Width	<b>49 mm</b>		
Height	<b>19 mm</b>		
Strain relief (acc. to EN 62444)	<b>1</b>		
For max. no. of cables	<b>2</b>		



**KAFM 4|SC**

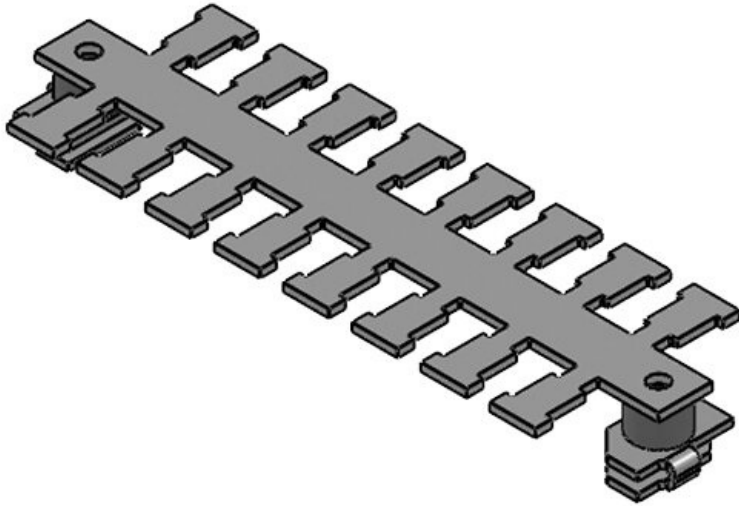
Part No.	<b>36414</b>	Length L1	<b>83,5 mm</b>
EAN	<b>4251269302</b>	Length L2	<b>70,5 mm</b>
	<b>626</b>	No. of teeth	<b>4</b>
Package quantity	<b>1</b>		
Width	<b>49 mm</b>		
Height	<b>19 mm</b>		
Strain relief	<b>1</b>		
(acc. to EN 62444)			
For max. no. of cables	<b>4</b>		

**KAFM 6|SC**

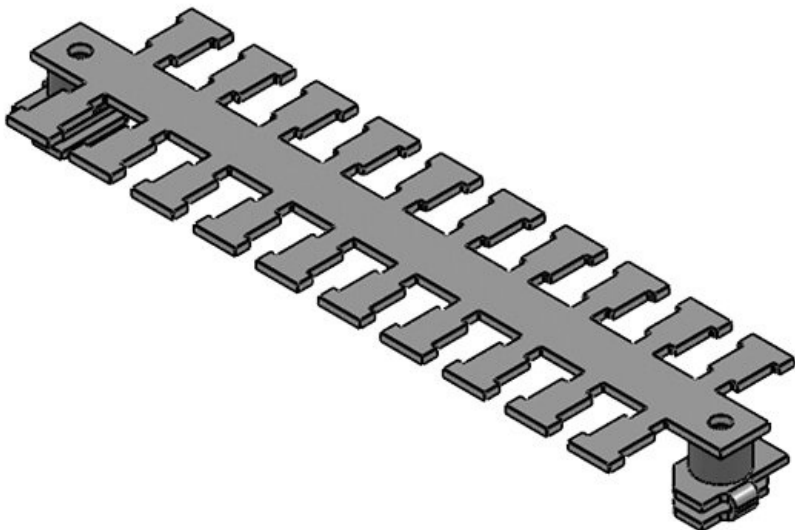
Part No.	<b>36416</b>	Length L1	<b>116,5 mm</b>
EAN	<b>4251269302</b>	Length L2	<b>103,5 mm</b>
	<b>633</b>	No. of teeth	<b>6</b>
Package quantity	<b>1</b>		
Width	<b>49 mm</b>		
Height	<b>19 mm</b>		
Strain relief	<b>1</b>		
(acc. to EN 62444)			
For max. no. of cables	<b>6</b>		

**KAFM 8|SC**

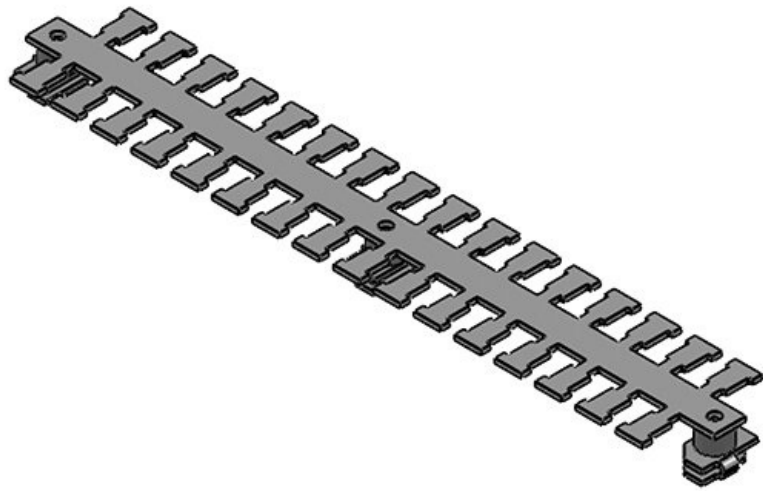
Part No.	<b>36418</b>	Length L1	<b>149,5 mm</b>
EAN	<b>4251269302</b>	Length L2	<b>136,5 mm</b>
	<b>640</b>	No. of teeth	<b>8</b>
Package quantity	<b>1</b>		
Width	<b>49 mm</b>		
Height	<b>19 mm</b>		
Strain relief (acc. to EN 62444)	<b>1</b>		
For max. no. of cables	<b>8</b>		

**KAFM 10|SC**

Part No.	<b>36400</b>	Length L1	<b>182,5 mm</b>
EAN	<b>4251269302</b>	Length L2	<b>169,5 mm</b>
	<b>602</b>	No. of teeth	<b>10</b>
Package quantity	<b>1</b>		
Width	<b>49 mm</b>		
Height	<b>19 mm</b>		
Strain relief (acc. to EN 62444)	<b>1</b>		
For max. no. of cables	<b>10</b>		

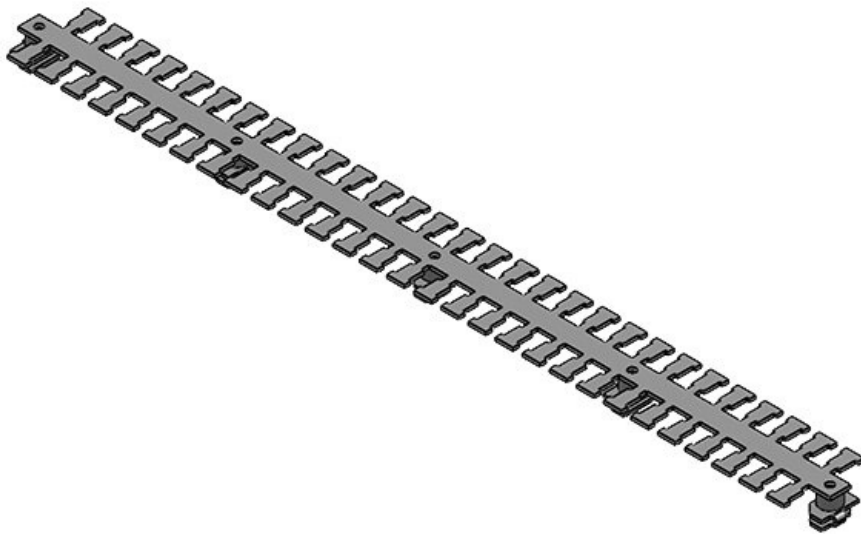


**KAFM 16|SC**



Part No.	<b>36465</b>	Length L1	<b>281,5 mm</b>
EAN	<b>4251269302</b>	Length L2	<b>268,5 mm</b>
	<b>879</b>	No. of teeth	<b>16</b>
Package quantity	<b>1</b>		
Width	<b>49 mm</b>		
Height	<b>19 mm</b>		
Strain relief (acc. to EN 62444)	<b>1</b>		
For max. no. of cables	<b>16</b>		

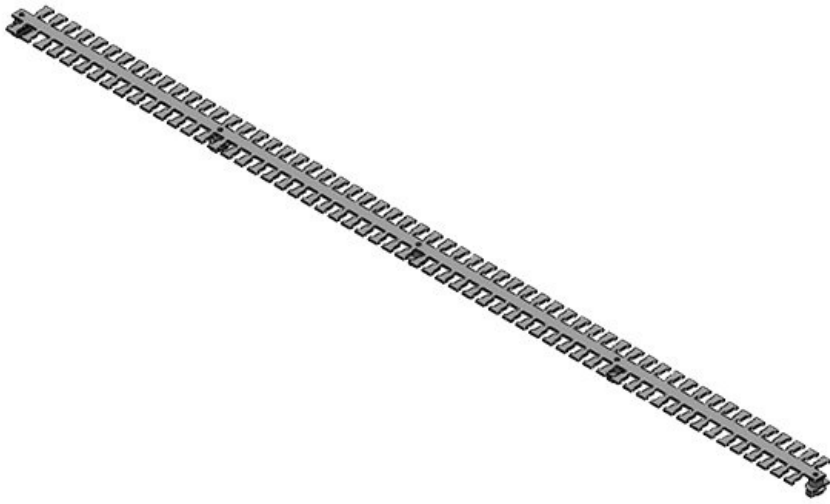
**KAFM 29|SC**



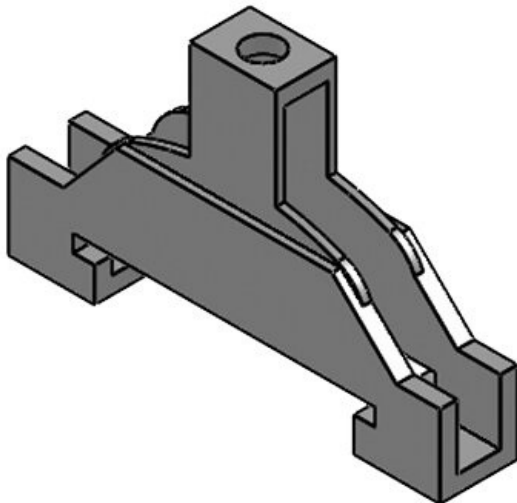
Part No.	<b>36466</b>	Length L1	<b>494,5 mm</b>
EAN	<b>4251269302</b>	Length L2	<b>481,5 mm</b>
	<b>886</b>	No. of teeth	<b>29</b>
Package quantity	<b>1</b>		
Width	<b>49 mm</b>		
Height	<b>19 mm</b>		
Strain relief (acc. to EN 62444)	<b>1</b>		
For max. no. of cables	<b>29</b>		

KAFM 59|SC

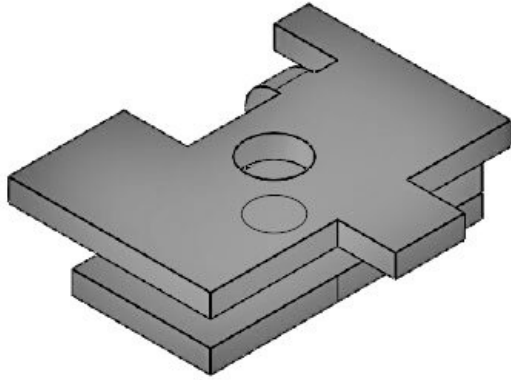
Part No.	<b>36467</b>	Length L1	<b>990 mm</b>
EAN	<b>4251269302</b>	Length L2	<b>978 mm</b>
	<b>893</b>	No. of teeth	<b>59</b>
Package quantity	<b>1</b>		
Width	<b>49 mm</b>		
Height	<b>19 mm</b>		
Strain relief (acc. to EN 62444)	<b>1</b>		
For max. no. of cables	<b>59</b>		



SK single



Part No.	<b>36232</b>	Diam. of screw	<b>5,1 mm</b>
EAN	<b>4251269302</b>	holes	
	<b>268</b>		
Package quantity	<b>10</b>		
Length	<b>50 mm</b>		
Width	<b>9 mm</b>		
Height	<b>31 mm</b>		
No. of screw holes	<b>1</b>		



Part No.	<b>36220</b>	No. of screw	<b>1</b>
EAN	<b>4251269302</b>	holes	
	<b>183</b>	Diam. of screw	<b>4,1 mm</b>
Package	<b>10</b>	holes	
quantity			
Length	<b>26 mm</b>		
Width	<b>22,5 mm</b>		
Height	<b>6,5 mm</b>		
Mounting	<b>2</b>		
height			